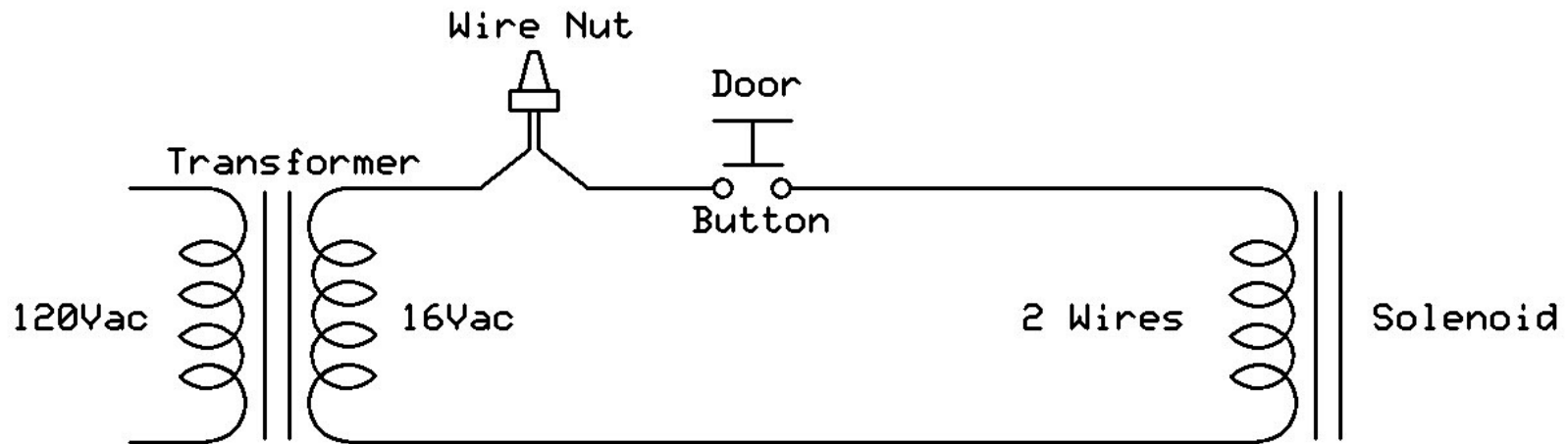
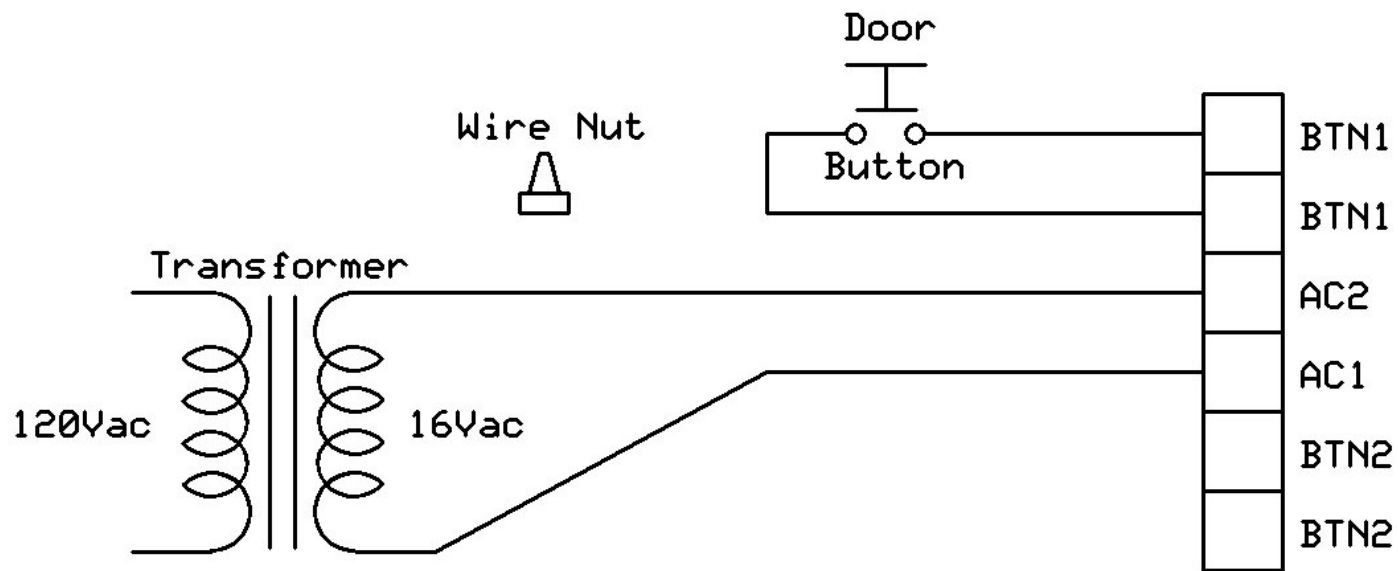


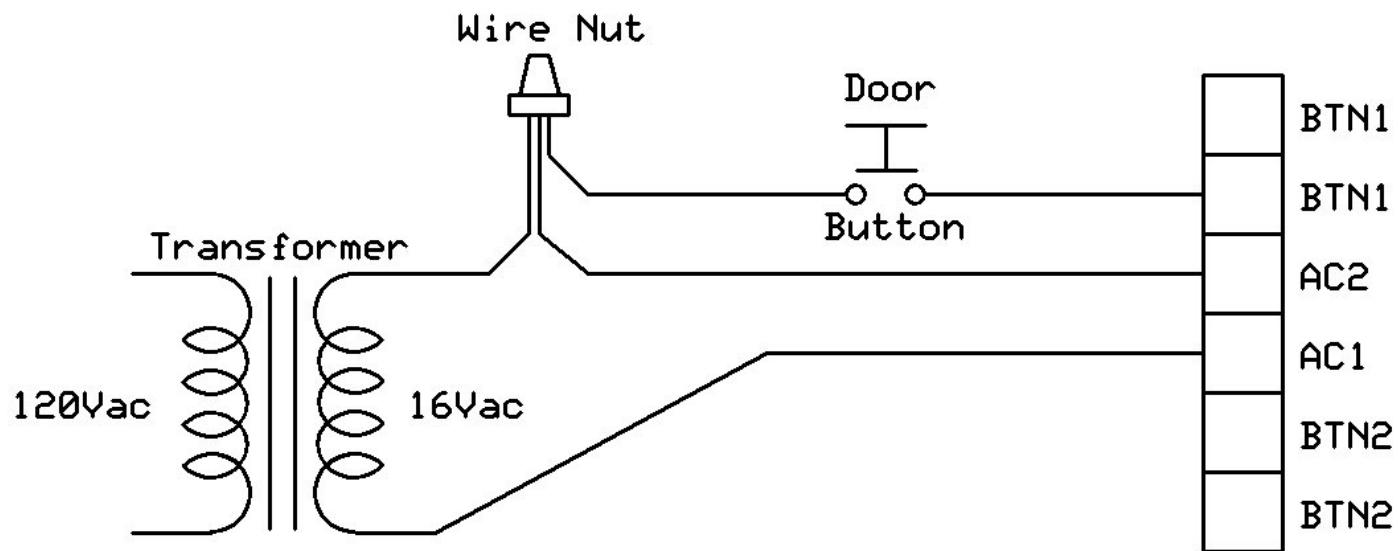
What the electrician had to start.  
Notice he had 4 wires.



This is how the electrician ended with 2 wires.  
This configuration turned the door button into an on/off switch.  
Press the button, the solenoid is energized, plunger is extended,  
hits a metal plate and a chime is heard.  
Release the button, solenoid is de-energized and the plunger returns.



This is the preferred wiring of the Yourbell.  
 The location of the wire nut is found and the 2 wires disconnected.  
 The original 4 wires are now connected to the YourBell.



This is the 3 wire method of wiring of the Doorbell.  
 The wire for AC2 can be connected to the transformer,  
 the wire nut or the door button.