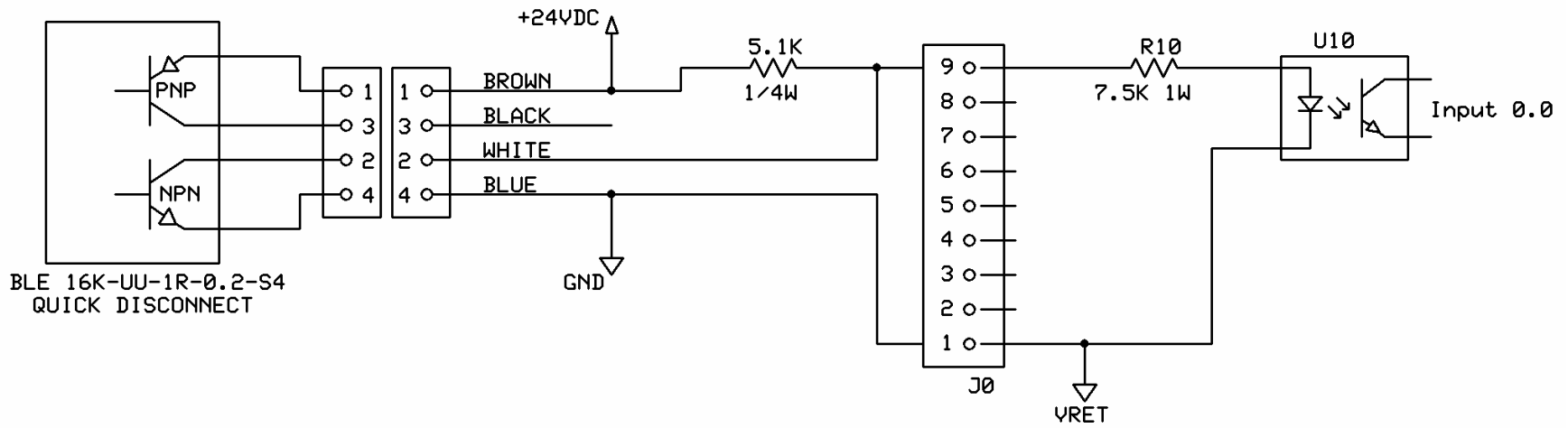


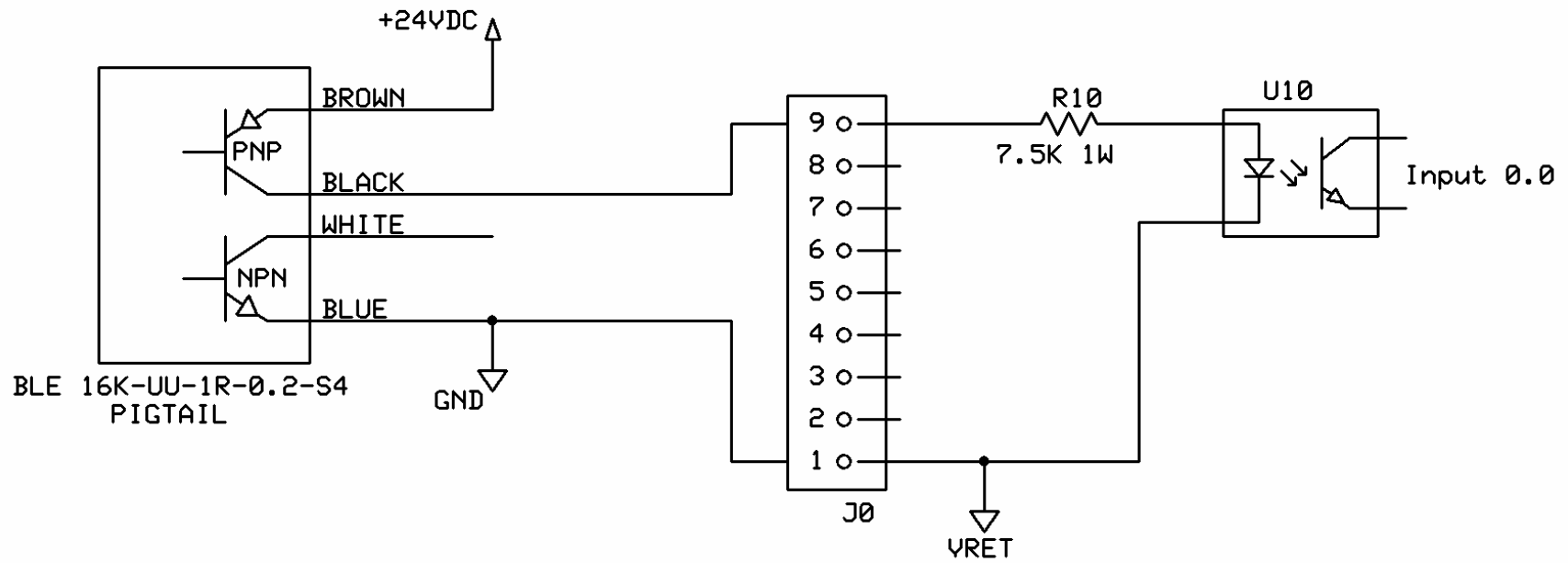
Balluff BLE 16K-UU-1R-0.2-S4 Photosensor With Pigtail

The BLE series emitter has NPN/PNP output. This schematic shows the suggested wiring for the NPN output. Logic will be reversed.



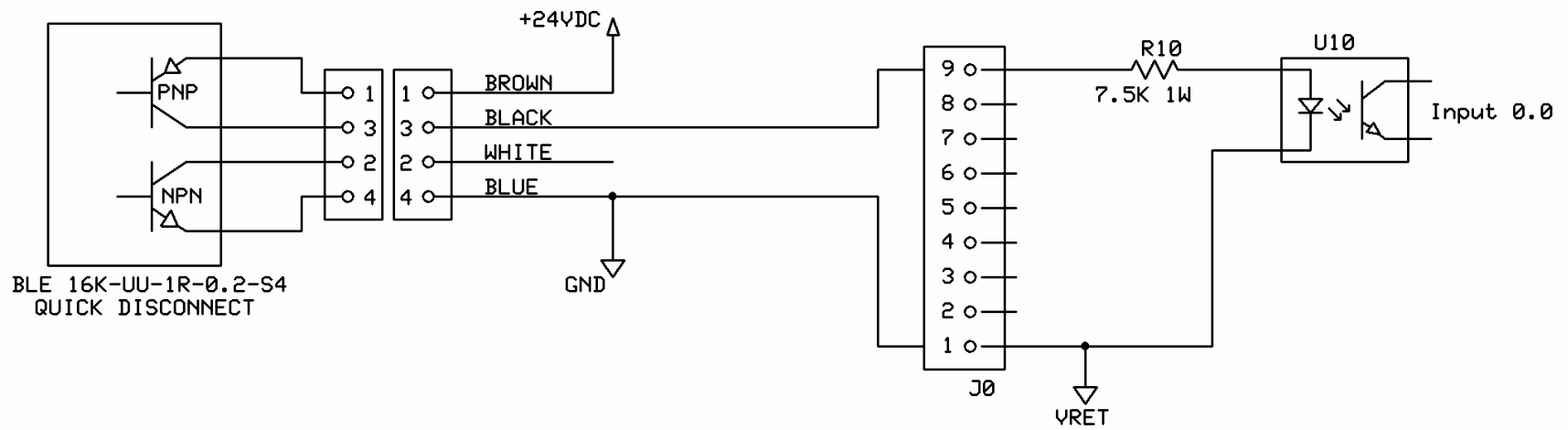
Balluff BLE 16K-UU-1R-0.2-S4 Photosensor With Quick Connect

The BLE series emitter has NPN/PNP output. This schematic shows the suggested wiring for the NPN output. Logic will be reversed.



Balluff BLE 16K-UU-1R-0.2-S4 Photosensor With Pigtail

The BLE series emitter has NPN/PNP output. This schematic shows the suggested wiring for the PNP output.



Balluff BLE 16K-UU-1R-0.2-S4 Photosensor With Quick Connect

The BLE series emitter has NPN/PNP output. This schematic shows the suggested wiring for the PNP output.