

# **BCS Ideas Corporation**



## **RP and DIO Series Output Configurations**

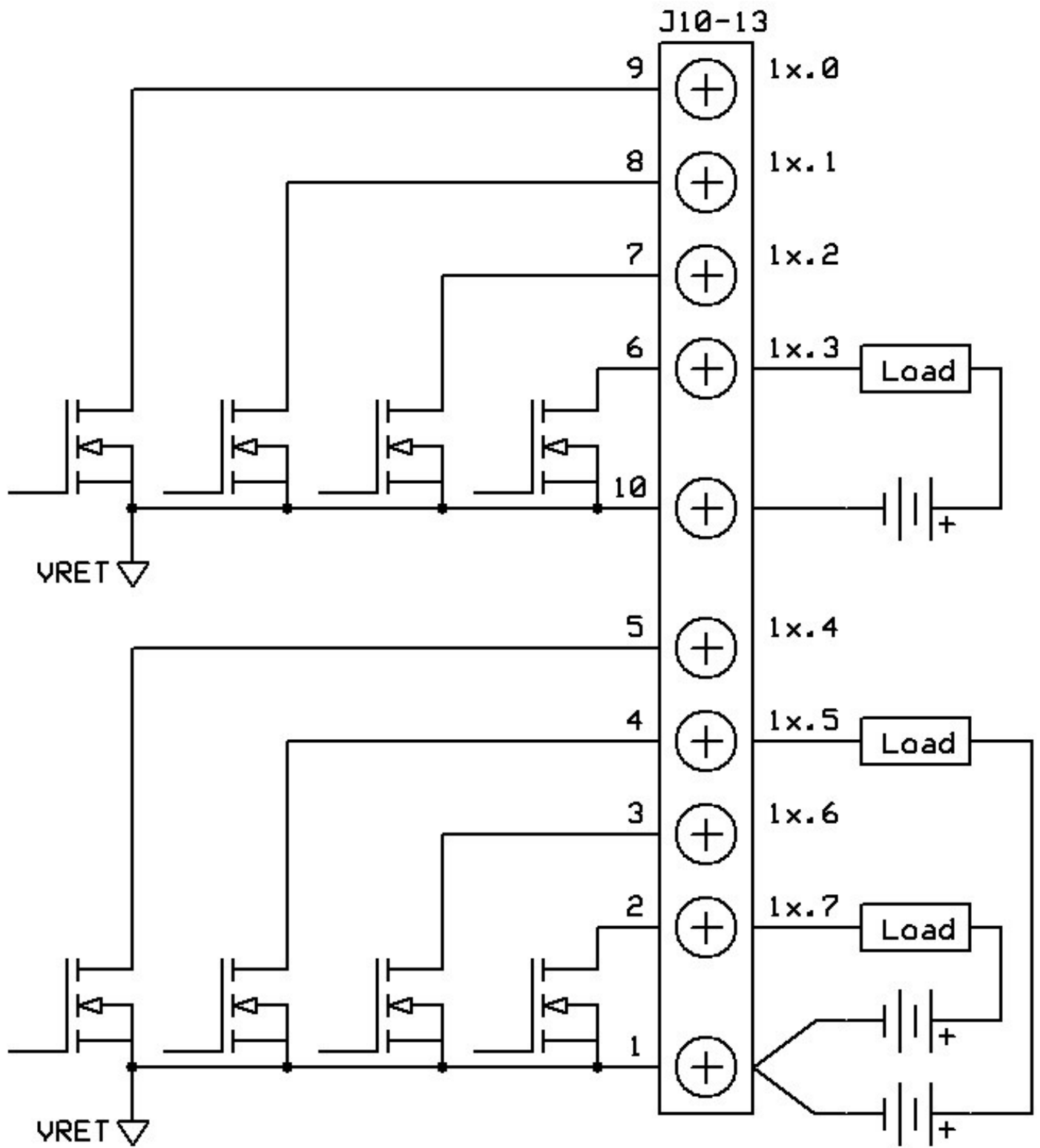
# Output Ratings

| <b>N Channel – Current Sink</b> |        |
|---------------------------------|--------|
| Voltage                         | 48 Vdc |
| Current                         | 2 Amps |

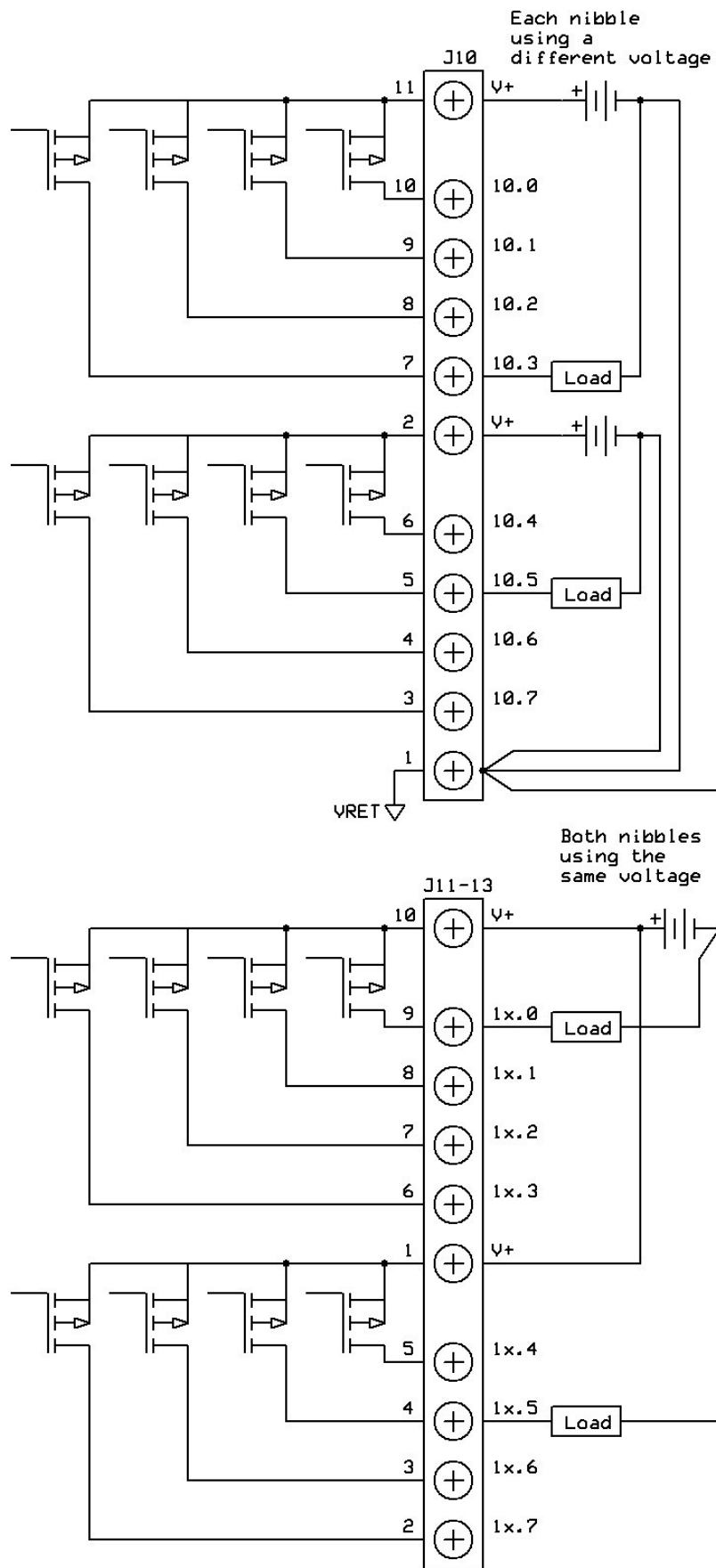
| <b>P Channel – Current Source</b> |        |
|-----------------------------------|--------|
| Voltage                           | 48 Vdc |
| Current                           | 2 Amps |

| <b>Solid State Relay</b> |            |
|--------------------------|------------|
| Voltage                  | 50 Vac/Vdc |
| Current                  | 500 mAmps  |

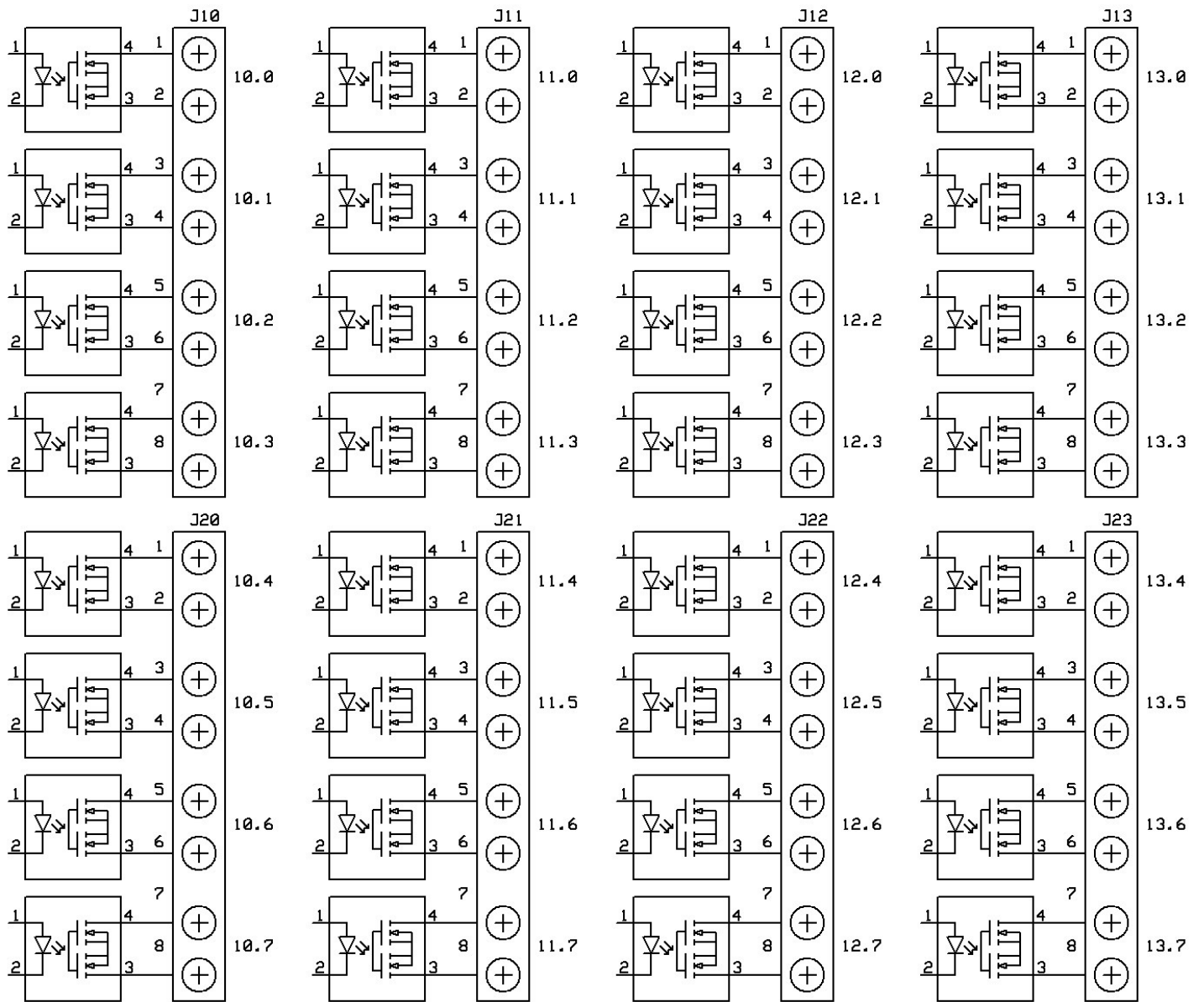
Ratings are for each bit.



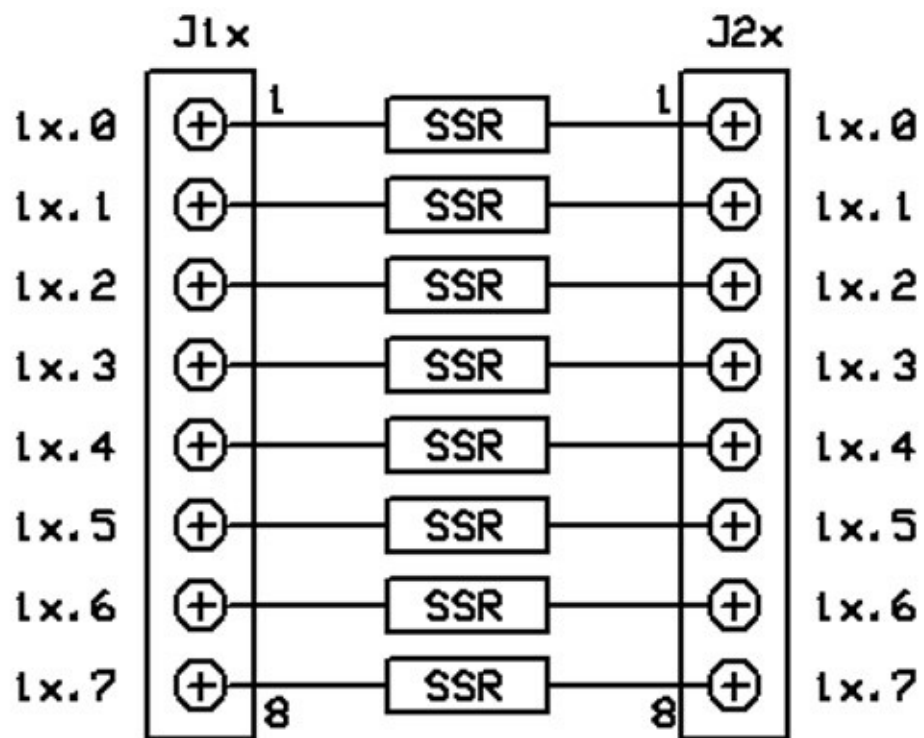
**DIO, RP Series N Channel OutPuts**



**DIO, RP Series P Channel OutPuts**



**DIO Series SSR OutPuts**



## RP Series SSR OutPuts