

BCS Ideas Corporation



RP and DIO Series Input Configurations

Input Ratings

Bidirectional Inputs	
Voltage	5 - 50 Vdc
Voltage	5 - 50 Vac

Ground Referenced Inputs	
Voltage	5 - 50 Vdc

Higher voltages can be used by adding a series resistor to the inputs. Make sure to size the resistor accordingly.

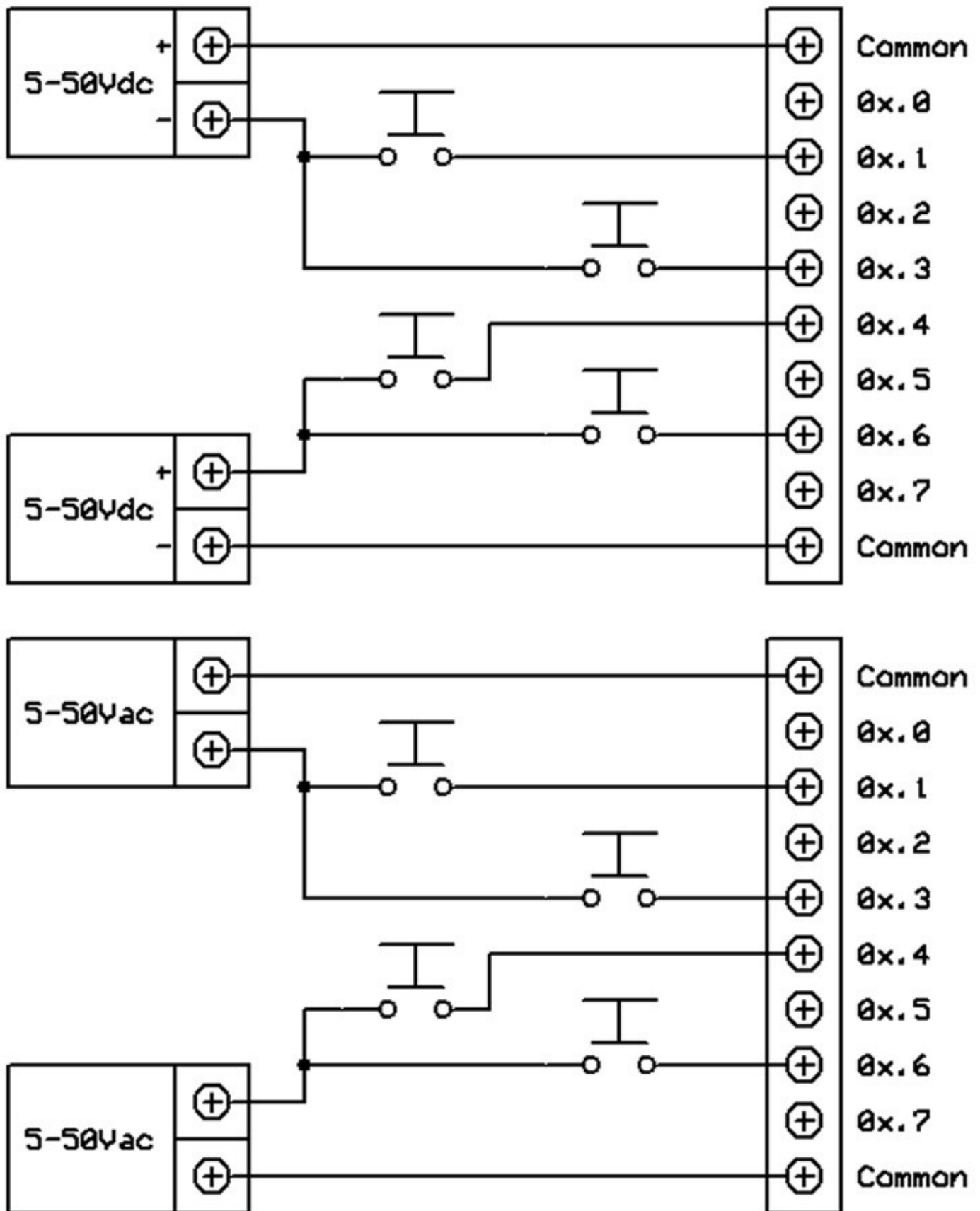


Figure 1 - DIOxxx Series, RP Series version 3.00 Inputs. Bidirectional inputs. The ports are divided in to 2 nibbles. Each nibble has its own common.

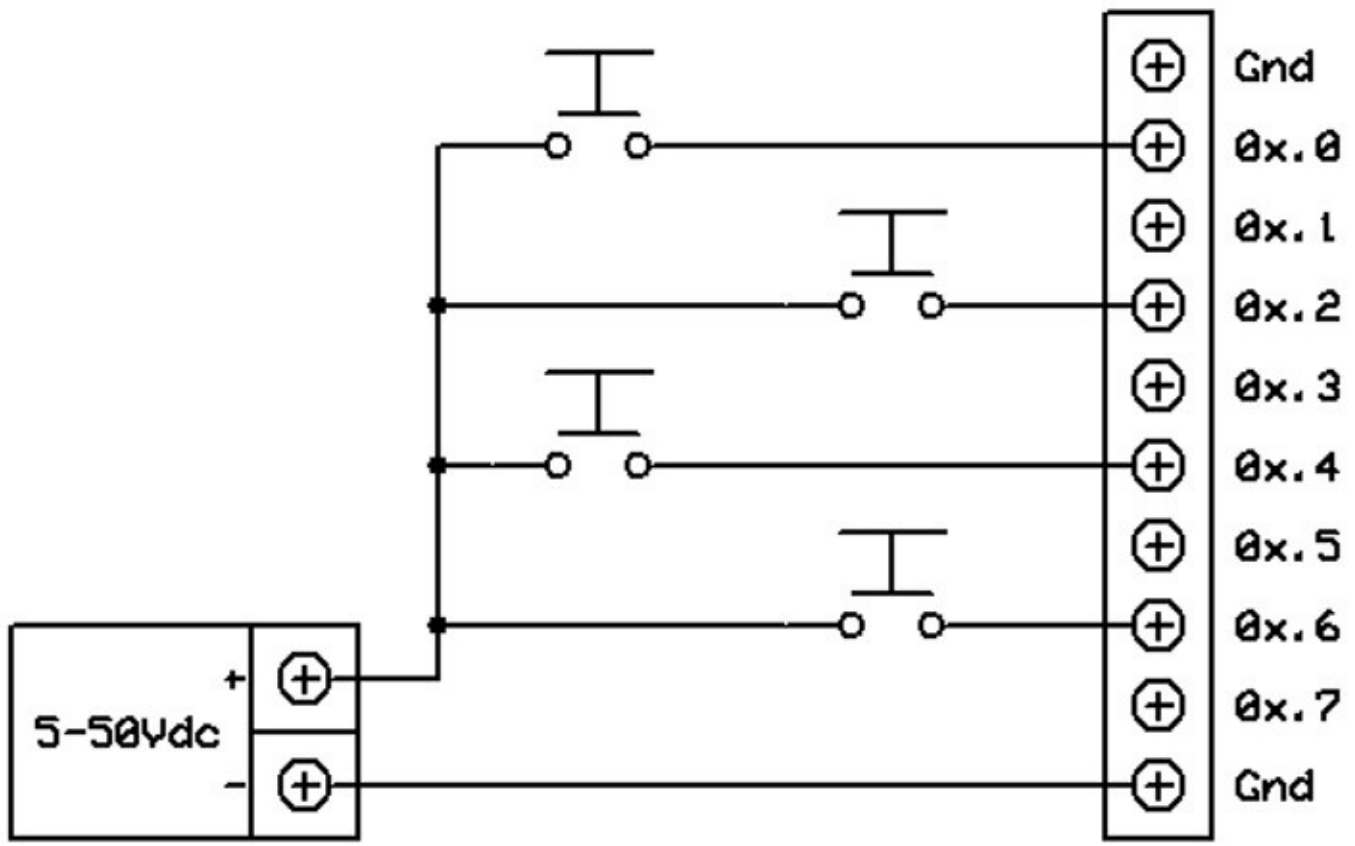


Figure 2 – RP series Version 2.00 or earlier. All inputs are referenced to Gnd.